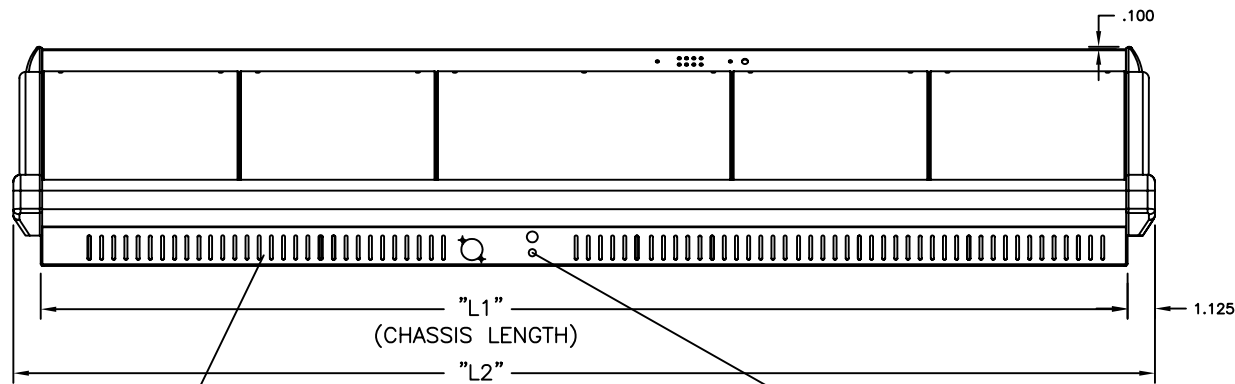


ASSEMBLED CONSOLE

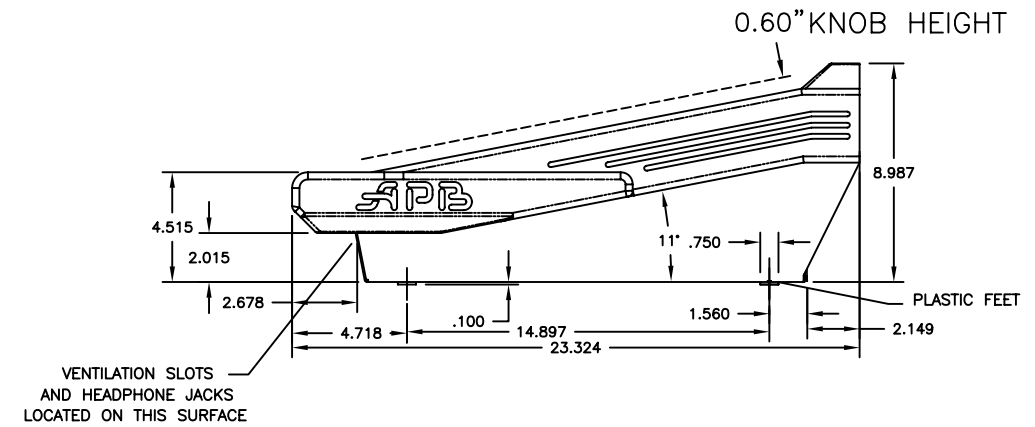
/32 SIZE SHOWN

REV.	ZONE	DESCRIPTION	NAME/DATE

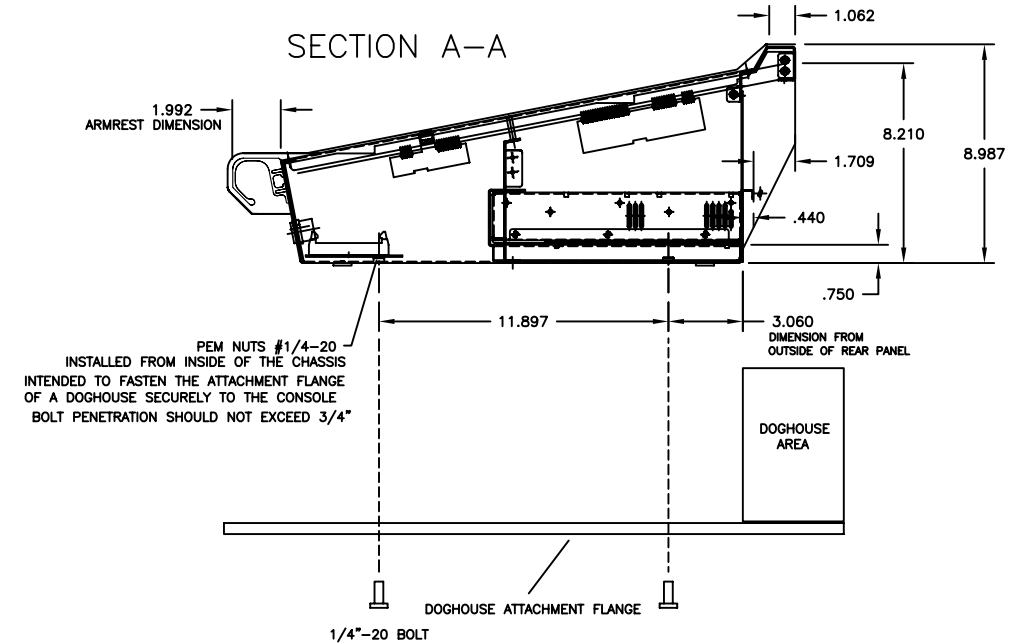
FRONT VIEW



RIGHT SIDE VIEW

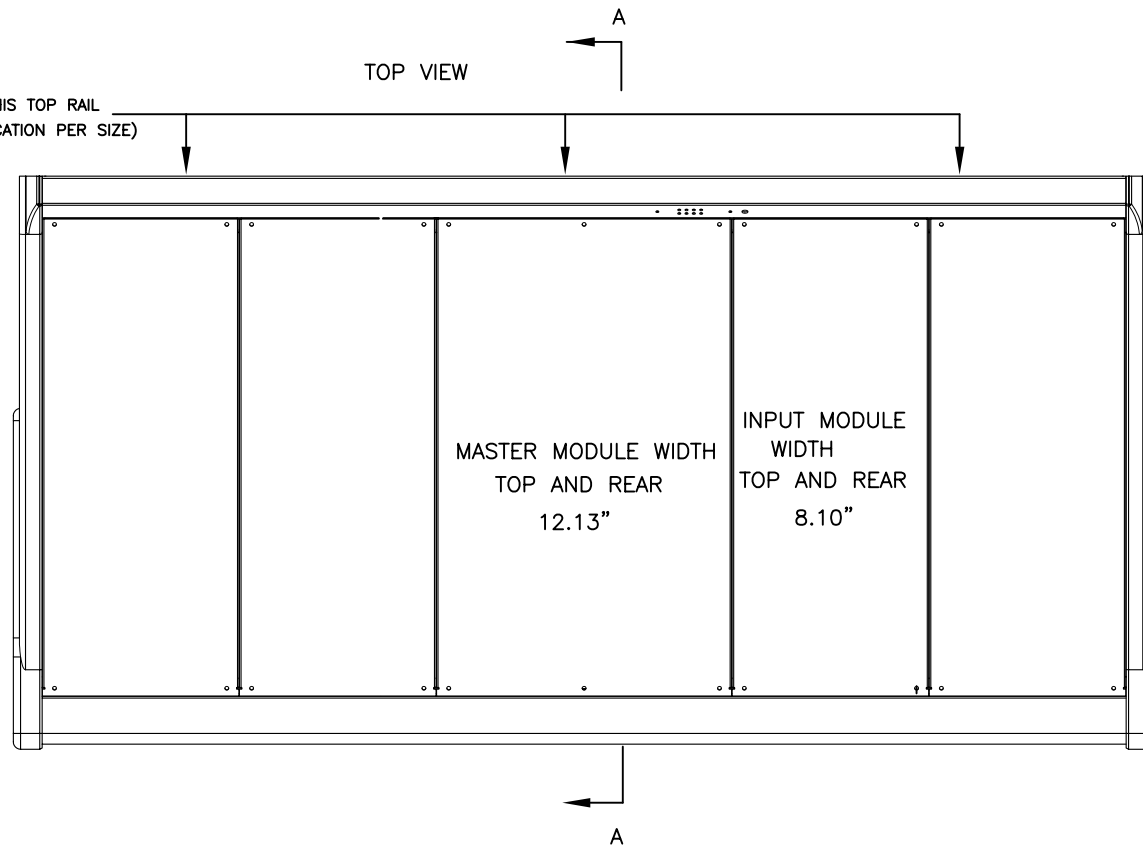


SECTION A-A



4-PIN XLR LAMP SOCKETS
LOCATED ALONG REAR FACE OF THIS TOP RAIL
(SEE SHEET 3, 4 AND 5 FOR LOCATION PER SIZE)

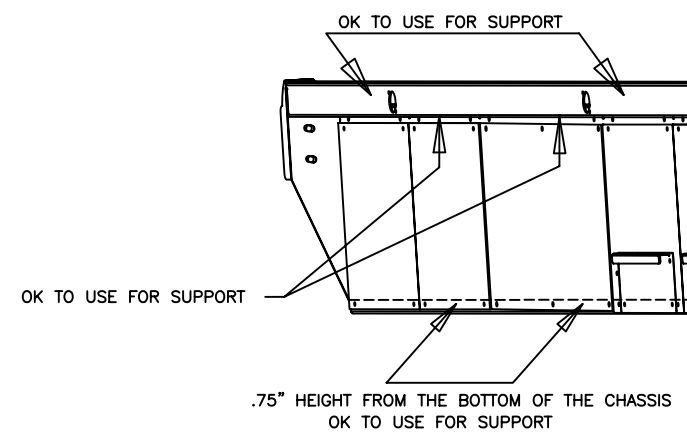
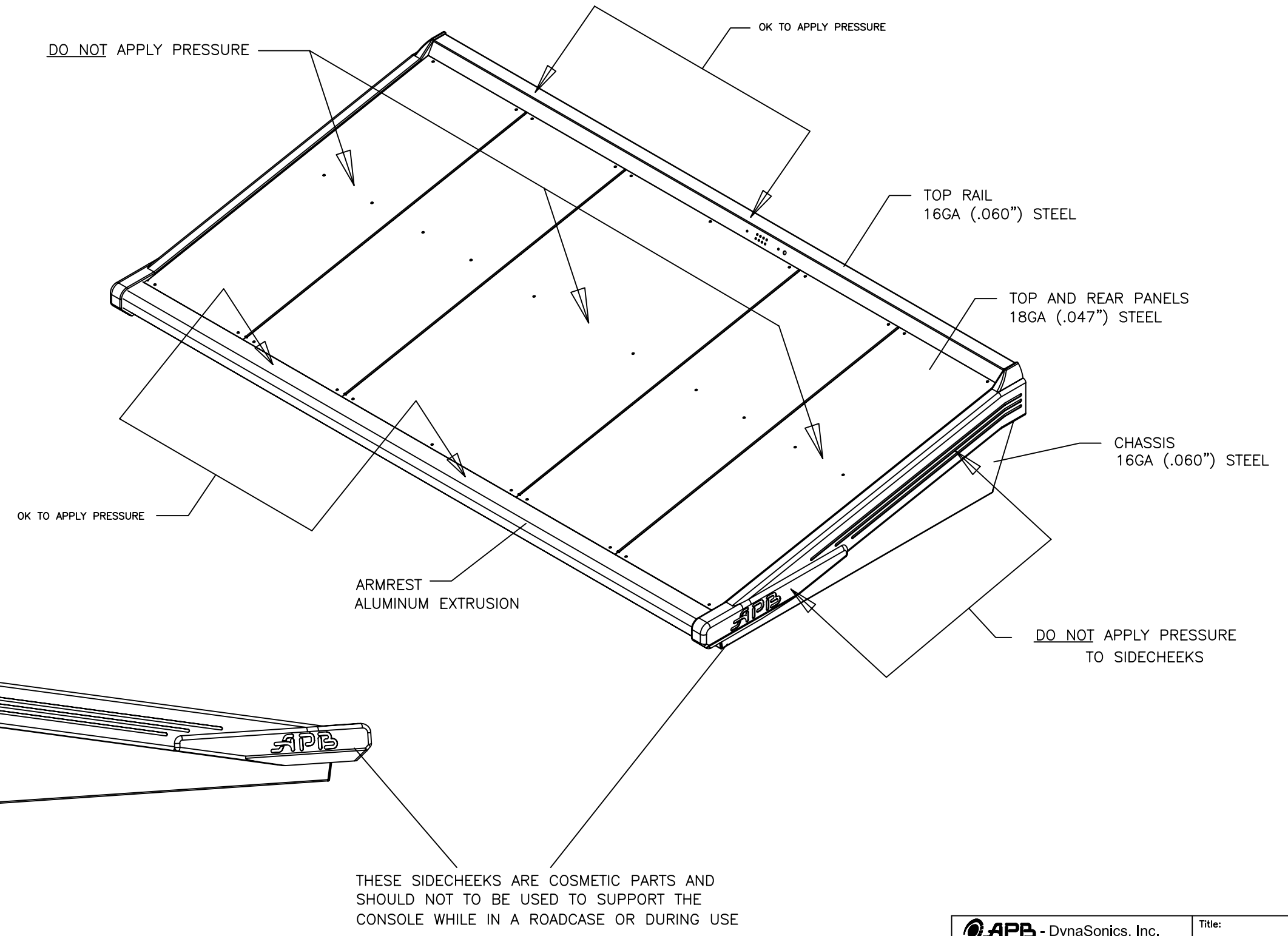
TOP VIEW



VARIABLE LENGTH PER CHASSIS SIZE

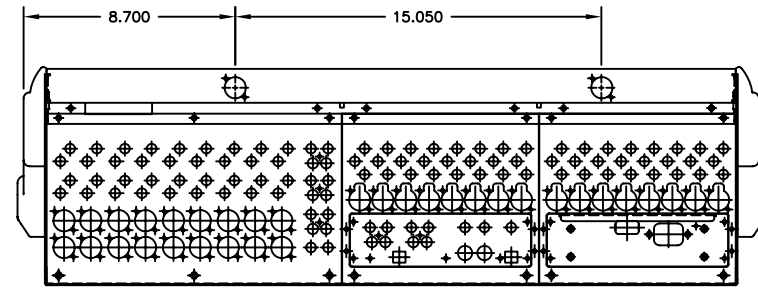
SIZE LENGTH"	/16	/24	/32	/40	/48
"L1"	28.47	36.57	44.67	52.77	60.87
"L2"	30.72	38.82	46.92	55.02	63.12

			Title: PRO DESK 4 CONSOLE CHASSIS ASSEMBLY INFORMATION FOR ROAD CASE DESIGN	
Dr.By: OG	Date: 04/20/05	APB P/N:		
Chk.By:	Date:	Scale:	Dwg#:	Rev.:
App.By:	Date:	DO NOT SCALE DRAWING		
Tolerance: .xx: +/- .02 .xxx: +/- .01 <+/-1	Material:	Finish:	4D0288 A	
Sheet: 1 OF 1				

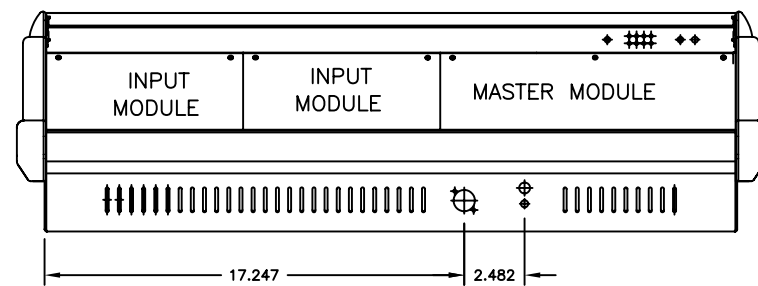
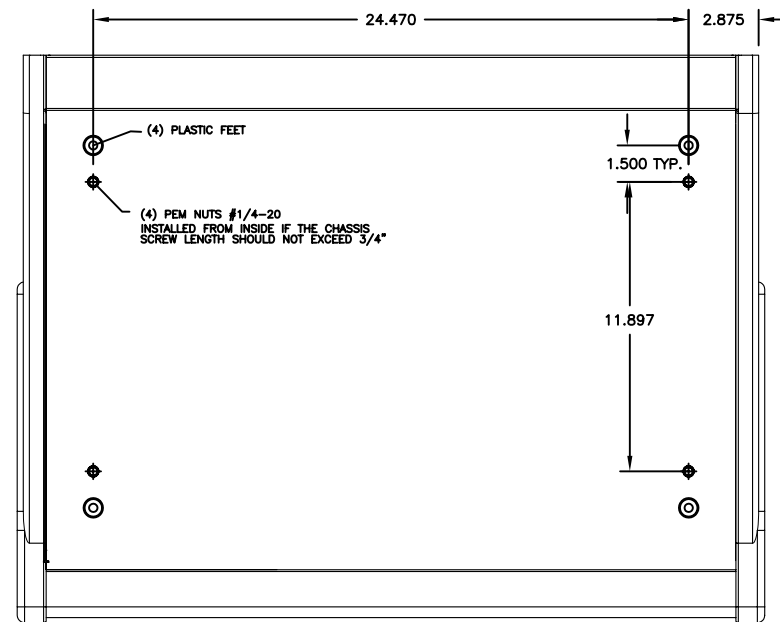


			Title: PRO DESK 4 CONSOLE CHASSIS ASSEMBLY INFORMATION FOR ROAD CASE DESIGN	
20 West End Road Totowa, NJ 07512			APB P/N:	
Dr.By: OG	Date: 04/20/05			
Chk.By:	Date:	Scale:	Dwg#:	Rev.:
App.By:	Date:	DO NOT SCALE DRAWING		
Tolerance: .xx: +/- .02 .xxx: +/- .01 <+/->		Material:	Finish:	4D0288 A
			Sheet: 2 OF 5	

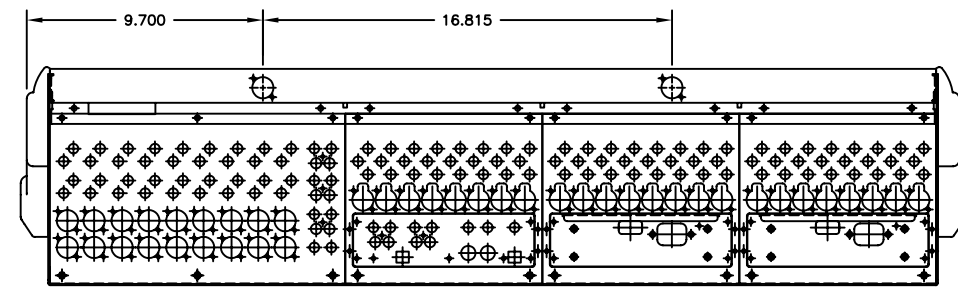
/16 ASSEMBLY



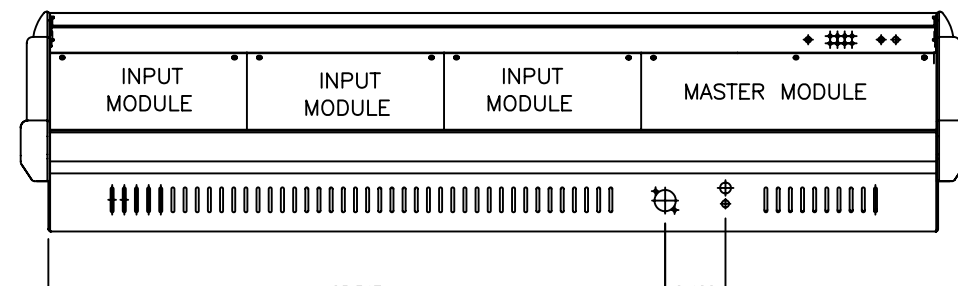
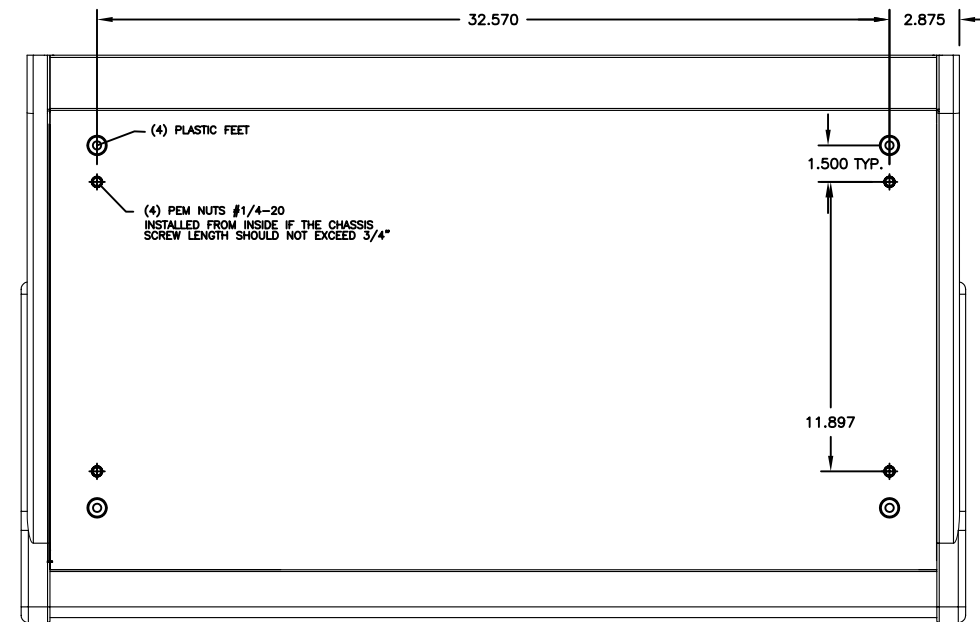
BOTTOM VIEW



/24 ASSEMBLY

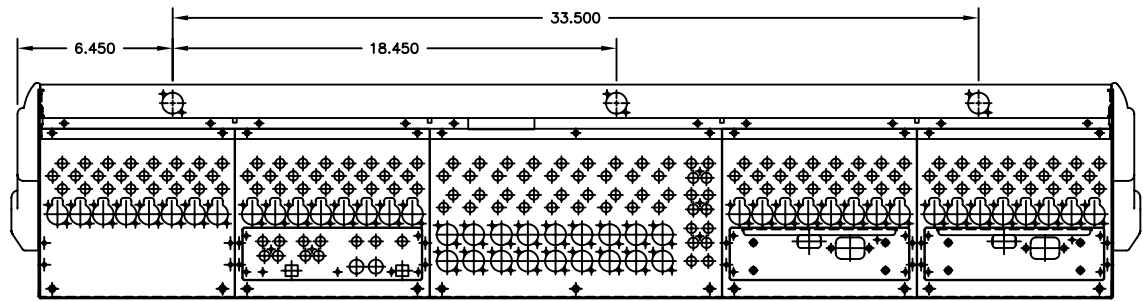


BOTTOM VIEW

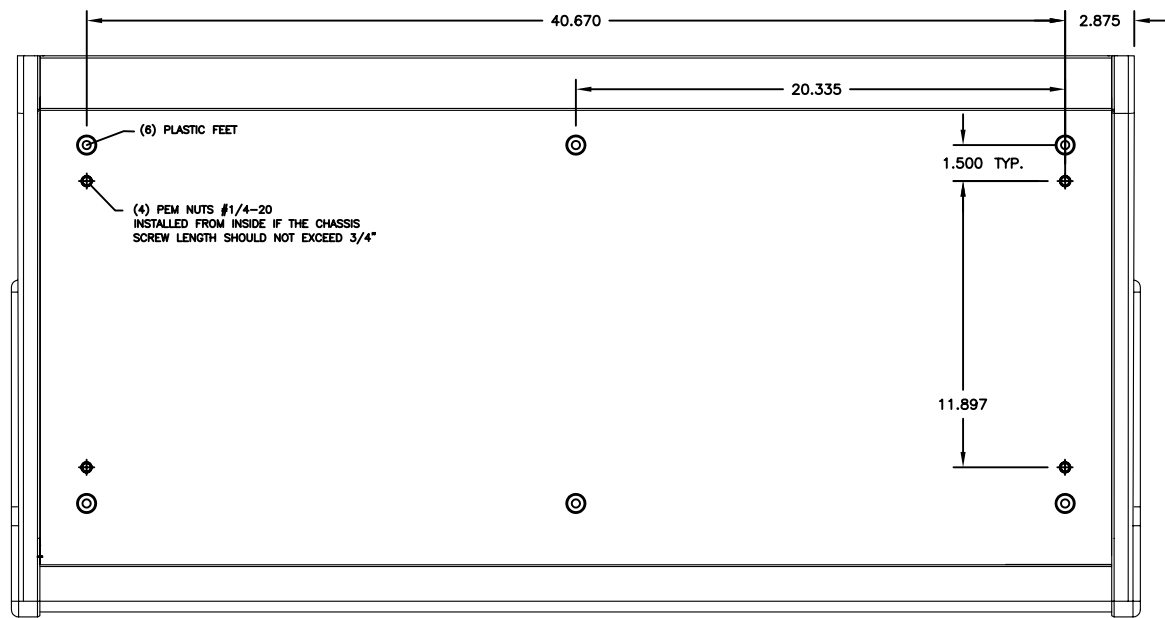


			Title: PRO DESK 4 CONSOLE CHASSIS ASSEMBLY INFORMATION FOR ROAD CASE DESIGN	
Dr.By: OG	Date: 04/20/05	APB P/N:		Dwg#: 4D0288
Chk.By:	Date:	Scale:	Rev.: A	
App.By:	Date:	DO NOT SCALE DRAWING		Sheet: 3 OF 5
Tolerance: XX: +/- .02 .XXX: +/- .01 <+/-1"	Material:	Finish:		

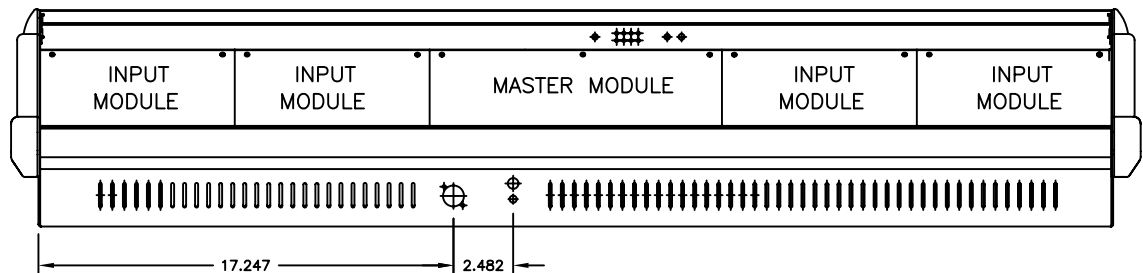
/32 ASSEMBLY
REAR VIEW



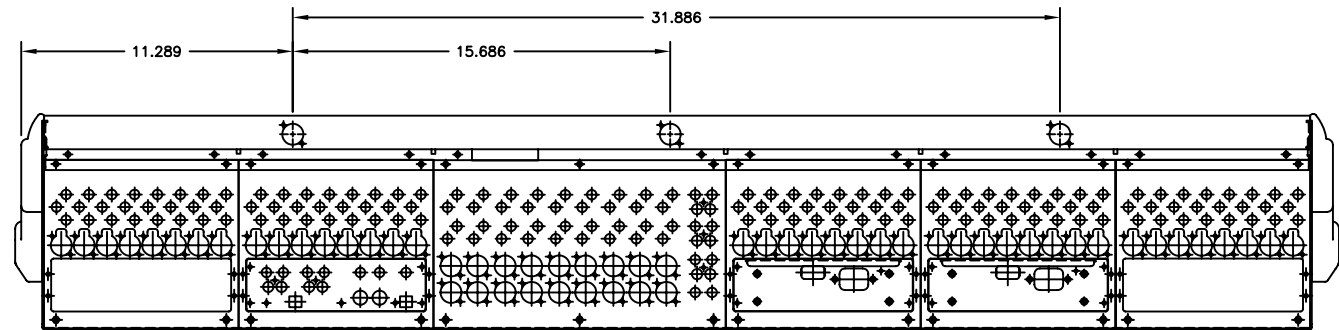
BOTTOM VIEW



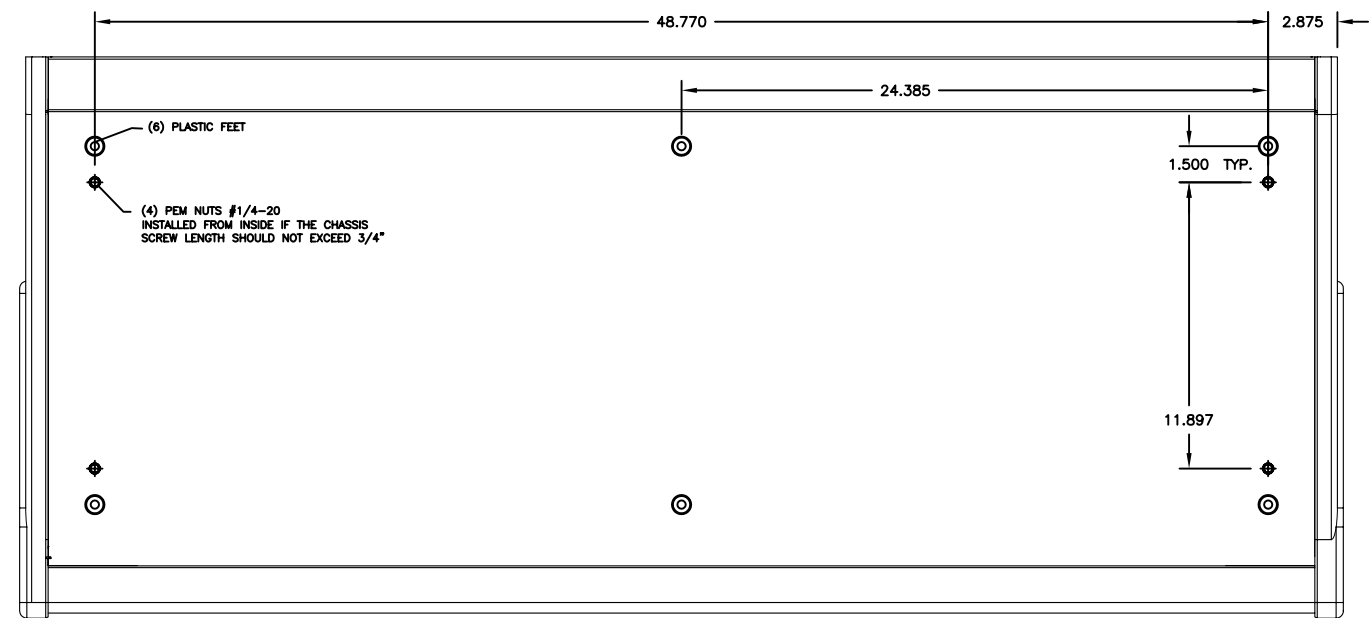
FRONT VIEW



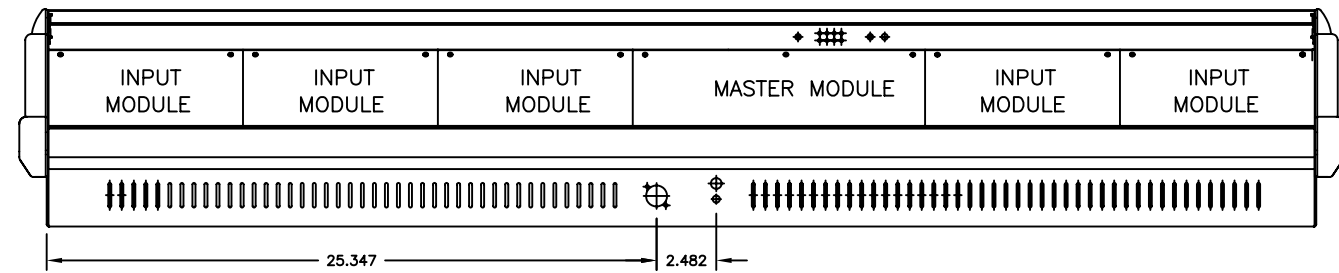
/40 ASSEMBLY
REAR VIEW



BOTTOM VIEW



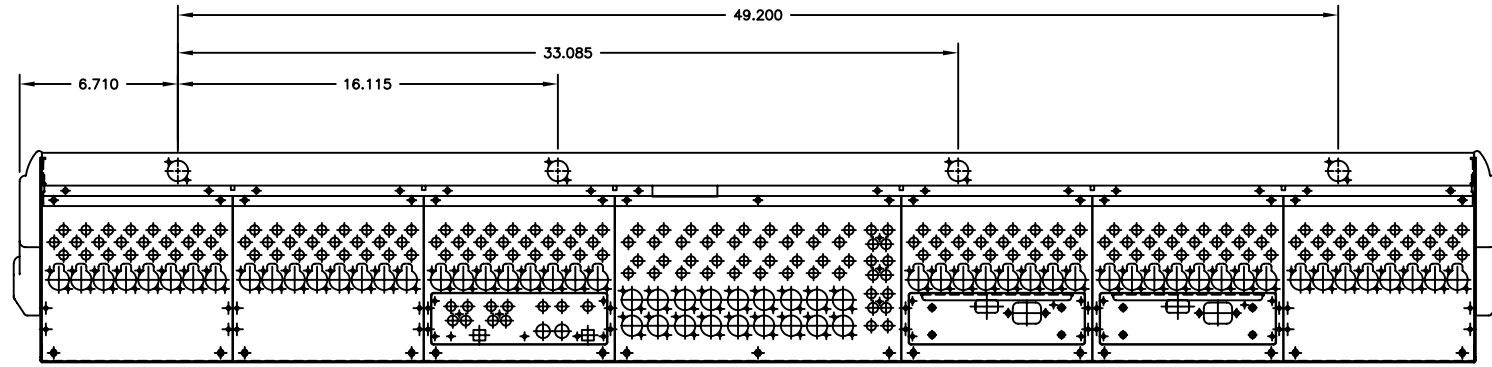
FRONT VIEW



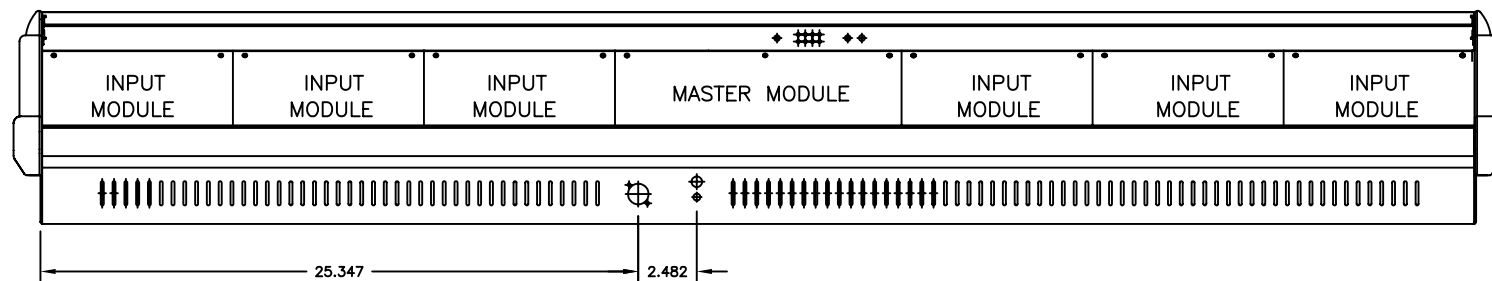
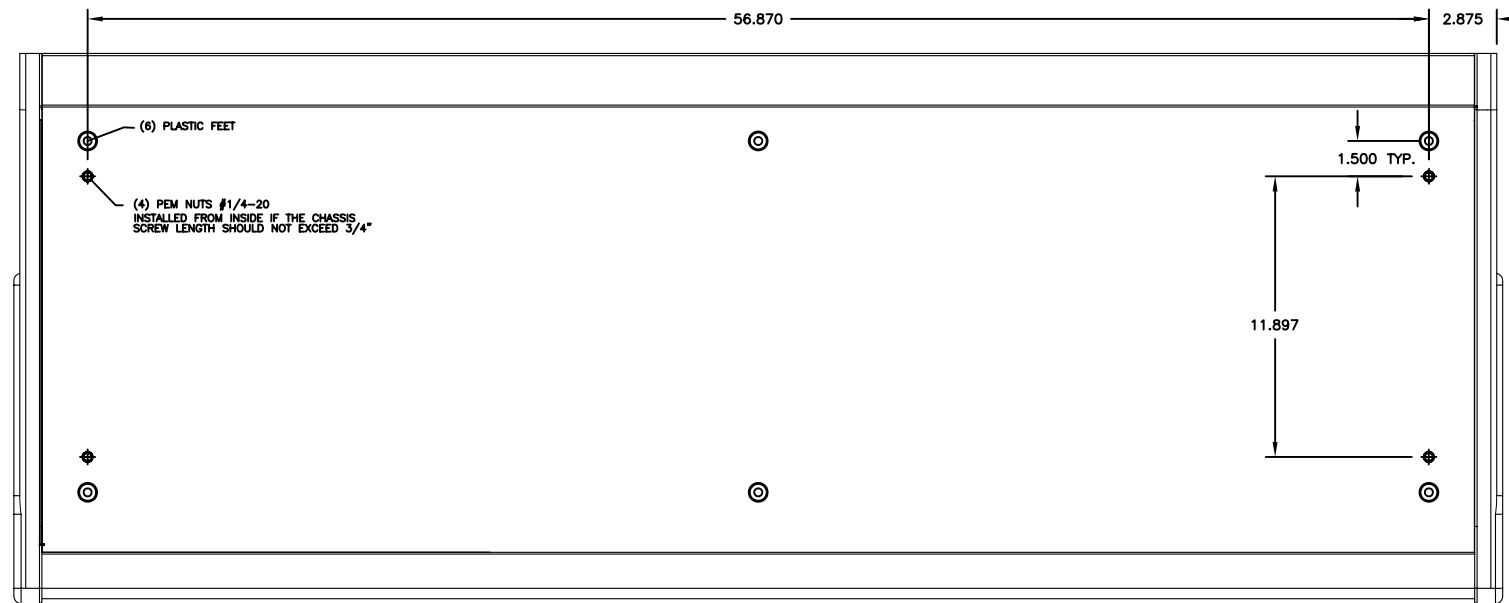
			Title: PRO DESK 4 CONSOLE CHASSIS ASSEMBLY INFORMATION FOR ROAD CASE DESIGN	
20 West End Road Totowa, NJ 07512			APB P/N:	
Dr.By: OG	Date: 04/20/05	Scale: DO NOT SCALE DRAWING		
App.By:	Date:	Dwg#: 4D0288		Rev.: A
Tolerance: .XX: +/- .02 .XXX: +/- .01 <+/- .1"	Material:	Finish:	Sheet: 4 OF 5	

12 11 10 9 8 7 6 5 4 3 2 1

/48 ASSEMBLY



BOTTOM VIEW



			Title: PRO DESK 4 CONSOLE CHASSIS ASSEMBLY INFORMATION FOR ROAD CASE DESIGN	
Dr.By: OG	Date: 04/20/05	APB P/N:		Rev.: A
Chk.By:	Date:	Scale:	Dwg#: 4D0288	
App.By:	Date:	DO NOT SCALE DRAWING		
Tolerance: XX: +/- .02 XXX: +/- .01 <+/- .1	Material:	Finish:	Sheet: 5 OF 5	

12 11 10 9 8 7 6 5 4 3 2 1